

# Filter and Valves

High-grade, cost-efficient and flexible



## GATHER Filter & Valves

About GATHER Industrie  
Page 3

GATHER Inline Filter  
Page 4-5

GATHER Overflow valves  
Page 6-7

GATHER Non-return valves  
Page 8-9

Industries & Applications  
Page 10-11

GATHER Contact details  
Backpage

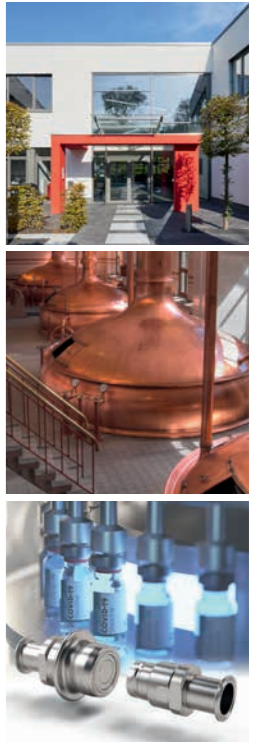
More than 50 years of experience

# In-depth knowledge, broadly diversified solutions

GATHER Industrie GmbH is a medium-sized family business based in Wülfrath, North Rhine-Westphalia – with more than 50 years of experience and a focus on quality and innovation.

As a premium manufacturer of magnetically coupled gear pumps, gear flow meters, metering systems and quick connect couplings for pipes and hoses, the company serves numerous industries and customers, e.g. the chemical, pharmaceutical, medical and food industries. With their expert knowledge in handling non-lubricating liquids, GATHER offers solutions which enable the customer to work with process reliability and durability.

From the “idea to series production”, GATHER Industrie develops not only standard products but also completely new technical solutions according to customer requirements. At the same time we succeed in managing the balancing act from single pieces to the production of small and large series for OEM customers.



**1965**  
Foundation

**50+**  
Employees

**30+**  
Countries

## The GATHER products



Metering and  
process pumps



Gear flow meter



Metering systems



Couplings

[www.gather-industrie.com](http://www.gather-industrie.com)

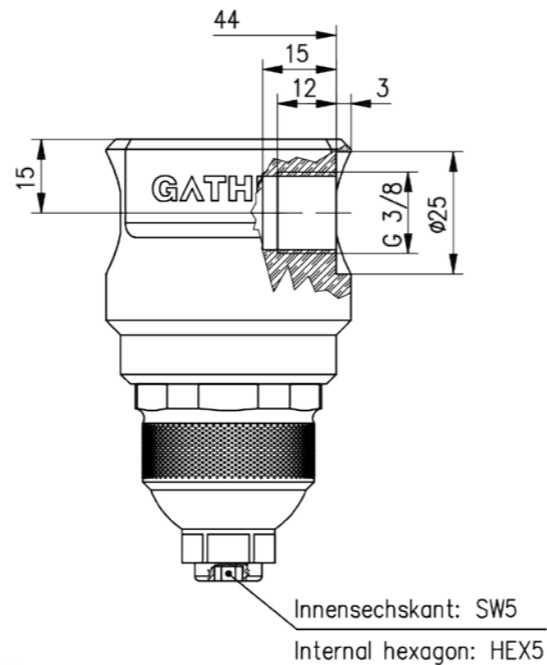
GATHER Accessories

# Inline Filter "Mini"

The **GATHER Filter** with drain plug is a universal filter designed even for extreme process conditions. Operating temperatures of up to 350°C at system pressures of **up to 500 bar** (torque of 120 Nm) are possible. The stainless steel and Hastelloy® versions qualify this filter for use with **aggressive media**. Through using "pleated" filter elements, a compact design with a **large filter surface** is created, which causes only **minimum pressure losses**. The filter is optimally suited for use as a pre-filter in suction lines, for example to protect GATHER gear pumps.

**TECHNICAL DATA**

Standard fineness	10 µm
Max temperature	up to +350 °C
Max system pressure	up to 500 bar
Bursting pressure	above 950 bar
Filter surface	48 cm <sup>2</sup>
Filling volume	appr. 18 ml
Connection	G 3/8 female thread
Drain	G 1/8 female thread



CHARACTERISTICS	MATERIAL
Body	Stainless steel: Nitronic 60® / 1.4404 Alternatively: Hastelloy® C-276
Filter	Edelstahl: 1.4401 Alternatively: Hastelloy® C-22

## Materials

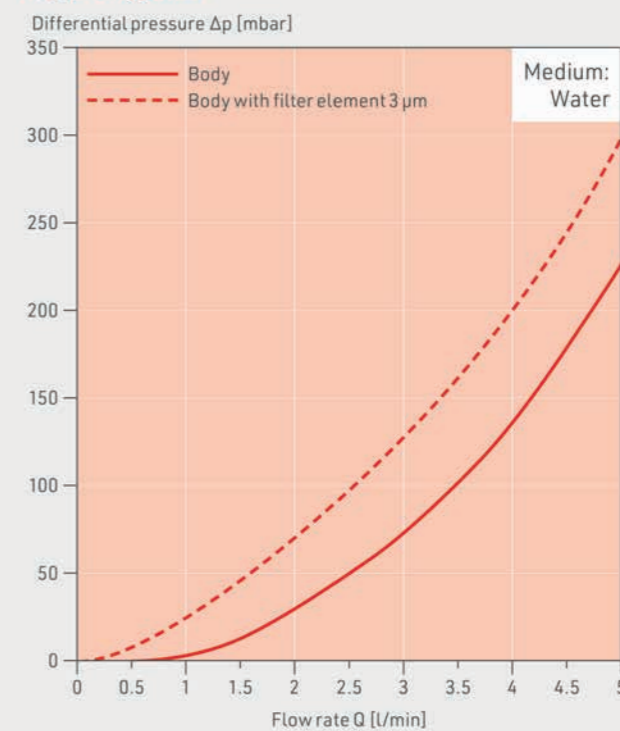


**Reference**

The filter element can be easily cleaned in an ultrasonic bath or by backflushing (also via drain).

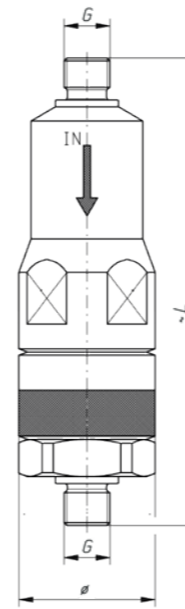
The filter has no inherent heat source and as such is not subject to ATEX provisions. It may thus be used without reservations in hazardous areas.

**Q/p Diagram**



GATHER Accessories

# Overflow valves for liquids, gas and steam service



## Safety valves ÜVG-G1/4 and ÜVG-G1/2

SIZE	LENGTH L	O.D.	CONNECTION G	PRESSURE RANGE
DN 6	~135 mm	Ø44 mm	G 1/4	1-5 bar or 5-15 bar
DN 12	~150 mm	Ø54 mm	G 1/2	1-5 bar or 5-10 bar



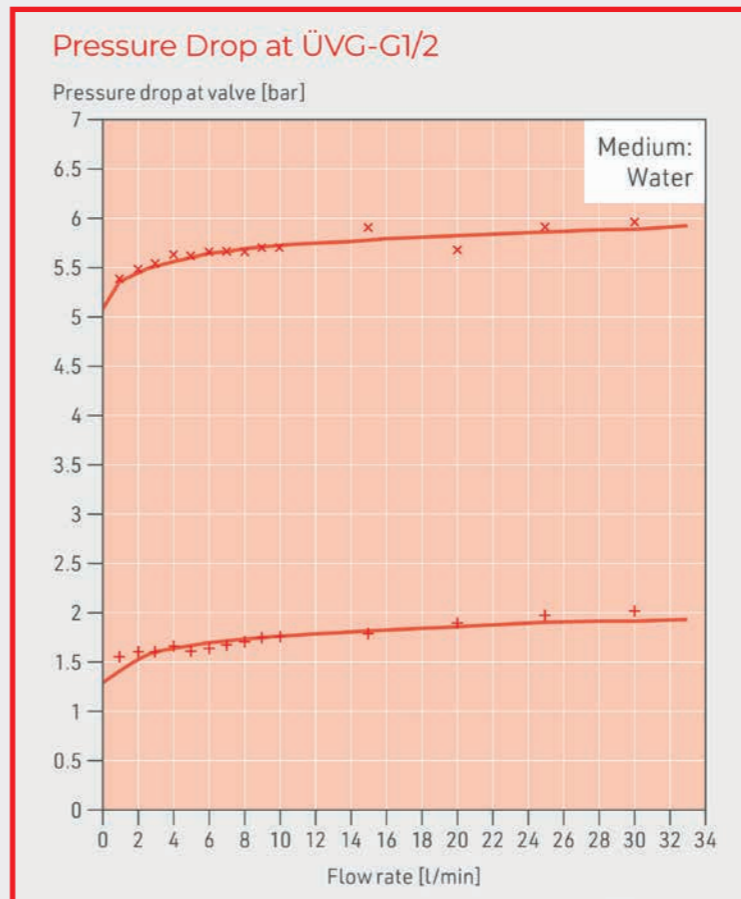
TECHNICAL DATA	
Material	Stainless Steel (1.4571)
Temperature	-15 up to +260 °C
Seals	FFKM (FDA-compliant, white) -50 to +260 °C other seal materials on request
Actuating pressure	steplessly variable
Connections	Tube couplings or as specified by client



### ADVANTAGES

- + TÜV-certified
- + Compliant with the German Clean Air Act
- + FDA compliant
- + ATEX compliant
- + Compact straight-line construction
- + free selectable installation location
- + low pressure loss (adjustment range 1:35)

The **GATHER Overflow valves** are simply designed and compact pressure limiters which offer accurate inlet pressure adjustment with easy installation and maintenance. In operation, the inlet pressure is in balance with the spring-loaded valve as soon as the preset opening pressure (in the pipeline) is reached and exceeded. The preload of the valve spring – and thus the opening pressure – can easily be adjusted from the outside. They keep the pressure upstream of the valve constant without the need of any further control elements. As connections, standard pipe fittings or individual connections according to customer specifications are available.



GATHER Accessories

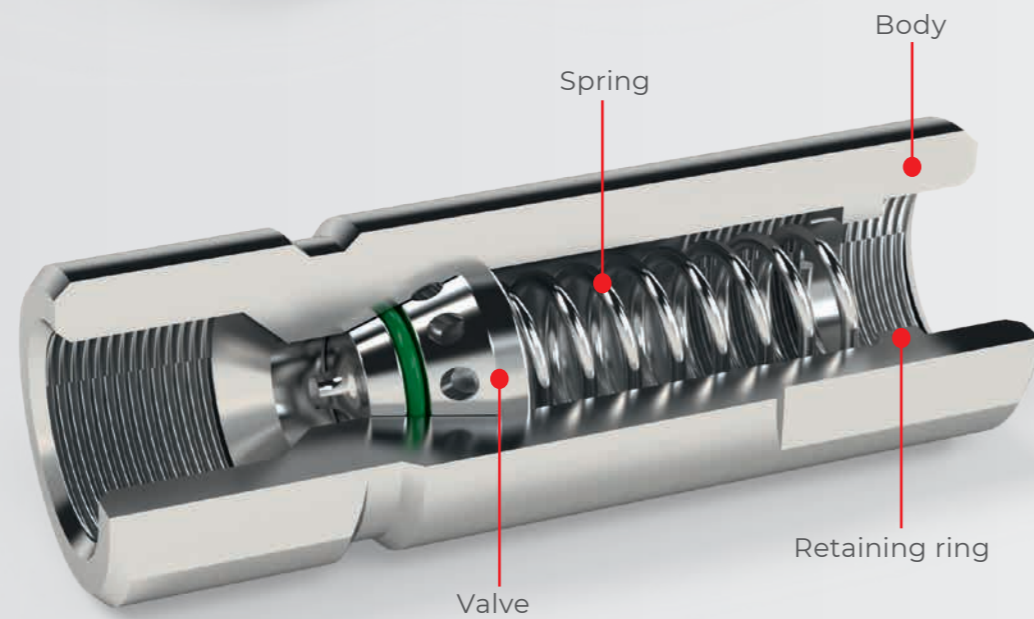
# Non-return valves for liquids, gas and steam service

**TECHNICAL DATA**

Material ..... Stainless steel (1.4404)

Seals ..... FKM (Viton®) (-20 to +200 °C)  
 EPDM (-40 to +150 °C)

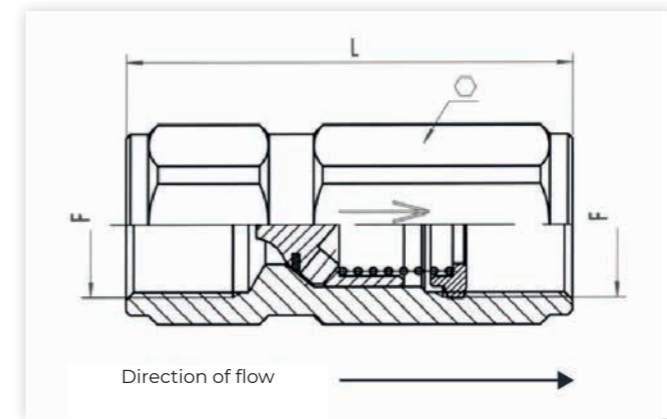
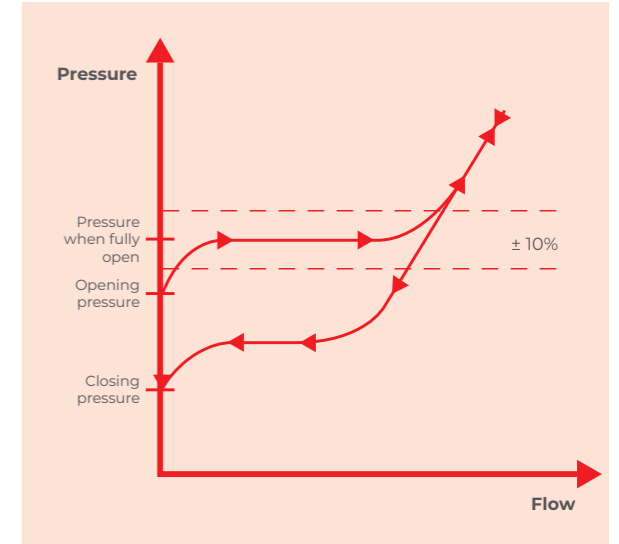
Actuating pressure... 1.0 barg (± 10%)



GATHER Non-return valves for liquids, gases and vapours

The proven accessories for our magnetically coupled pumps and gear flow meters

- + ensure constant flow resistance
- + used under vacuum in various pump applications
- + available in stainless steel or Hastelloy®



MODELL	DN [MM]	L [MM]	F CONNECTION	WIDTH [MM]	SEAL	MAX. FLOW*, SYSTEM PRESSURE
RÜ-G1/8-V RÜ-G1/8-E	3.8	37	G 1/8	16	Viton EPDM	1.0 l/min, 400 bar
RÜ-G1/4-V RÜ-G1/4-E	5.7	50	G 1/4	19	Viton EPDM	4.0 l/min, 400 bar
RÜ-G3/8-V Rü-G3/8-E	7.6	60	G 3/8	23	Viton EPDM	8.3 l/min, 400 bar
RÜ-G1/2-V RÜ-G1/2-E	10.3	70	G 1/2	27	Viton EPDM	16.7 l/min, 250 bar
RÜ-G3/4-V RÜ-G3/4-E	14.2	86	G 3/4	35	Viton EPDM	35.0 l/min, 250 bar

\* For water at 20 °C and 1.0 mm<sup>2</sup>/s

Industries & Applications

# Use in all sectors of industry – GATHER has the solution!

GATHER products are used in almost all sectors of industry. Wherever precise delivering, measuring, dosing or coupling of fluids matters. Whether lubricating or non-lubricating, whether low-viscosity or viscous, whether pump, flow meter, complete system or coupling.

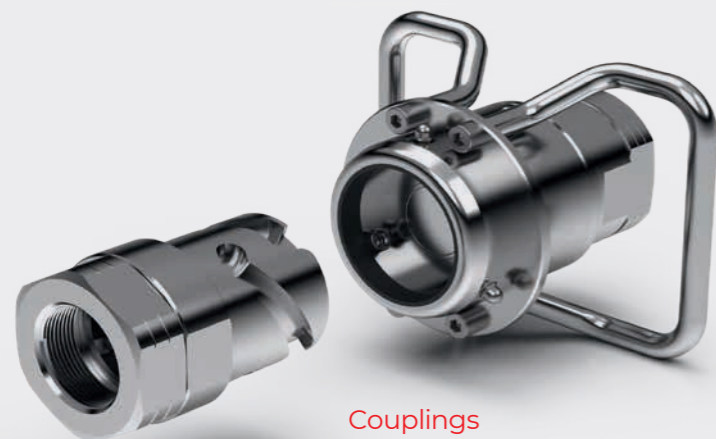
Our engineering is your solution!



Flow meter



Metering systems



Couplings



Metering and process pumps

# Liquids for every industry and application



## Chemical and Process Engineering

- + Water
- + Saline Solutions
- + Caustic Soda
- + Sulfuric Acid
- + Hydrochloric Acid
- + Formic Acid
- + Nitric Acid
- + Phosphoric Acid
- + Alcohols (Methanol, Ethanol, Toluene, Xylene, etc.)
- + Tetrahydrofuran (THF)
- + Resins
- + Hydrocarbons
- + Barrier fluids for Double-Action Mech. Seals GLRD



## Pharmaceutical and Cosmetics Industry

- + Nutrient solutions
- + Dyes
- + Perfumes
- + Hydrogen peroxide/H<sub>2</sub>O<sub>2</sub>
- + Vinegar essence
- + Enzymes
- + Various alkalis and acids
- + Cell fluids
- + Silicone oil



## Medical Technology

- + Water
- + Active ingredients
- + Vaccines
- + Adhesives



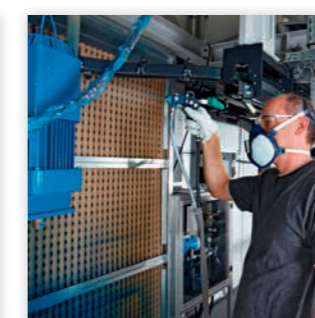
## Food Industry

- + Vegetable oils
- + Cooking fats
- + Yeast solutions
- + Fish oils
- + Nitric acid
- + Citric acid
- + Caustic sodas
- + Sulfuric acid
- + Tetrahop
- + Isohop
- + Caramel
- + Essences



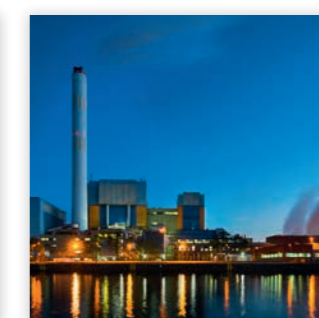
## Water Management

- + Caustic Soda
- + Sodium hypochlorite
- + Hydrochloric acid
- + Iron (II) Chloride
- + Iron (III) Chloride



## Automotive Industry

- + Paints and varnishes
- + Petrol
- + Diesel
- + Kerosene
- + Additives for fuels
- + Cooling liquids



## Steel Industry and Power Plants

- + Ammonia water
- + Urea (Adblue)
- + Cooling liquids
- + Water



## Oil Industry

- + Crude oil
- + Petrols
- + Kerosene
- + Diesel
- + Solvent Yellow 124
- + Thermal oil
- + Various additives

## **GATHER Industrie GmbH**

Lise-Meitner-Straße 4  
42489 Wülfrath  
GERMANY  
Phone +49 2058 89381-0

### **Pump Technology**

#### **Filters and Valves**

Phone +49 2058 89381-23  
Fax +49 2058 89381-50  
pump@gather-industrie.com

### **Coupling Technology**

Phone +49 2058 89381-23  
Fax +49 2058 89381-50  
coupling@gather-industrie.com

### **Measurement and Control Technology**

Phone +49 2058 89381-23  
Fax +49 2058 89381-50  
measurementtechnology@  
gather-industrie.com



[www.gather-industrie.com](http://www.gather-industrie.com)

## **Why GATHER pumps?**

With the right design of the pump as well as the selection of materials and seals according to the liquid and application, we offer our customers process-reliable and durable solutions. The pump bodies of the centrifugal and gear pumps and the shafts are made of stainless steel, Hastelloy® or titanium, the sleeve bearings of carbon or plastics such as PEEK or PTFE.

In the case of gear pumps, the gears are made of a nickel-based alloy, PEEK or PTFE (Teflon®) and can be freely combined with each other. The materials used for the gear wheel, slide bearing and shaft all have excellent tribological properties. The use of the magnet coupling, the internal cooling system together with the high precision of all components result in a very robust design with an extremely long service life. Depending on the application (liquid), the pumps operate maintenance-free.

GATHER is not only a component manufacturer, but also a solution provider for design as a complete system according to customer specifications with the corresponding control loop and accessories. Special solutions are our speciality as well. This also includes the use in potentially explosive atmospheres in compliance with the ATEX directives. Our sales engineers and partners have extensive expertise and application knowledge and are your contacts. Either on-site at your premises or at our head office in Wülfrath.