

# Tube-Hose Quick-Disconnect Coupling DBG-SV Series

## The Modern Loading and Fueling Coupling

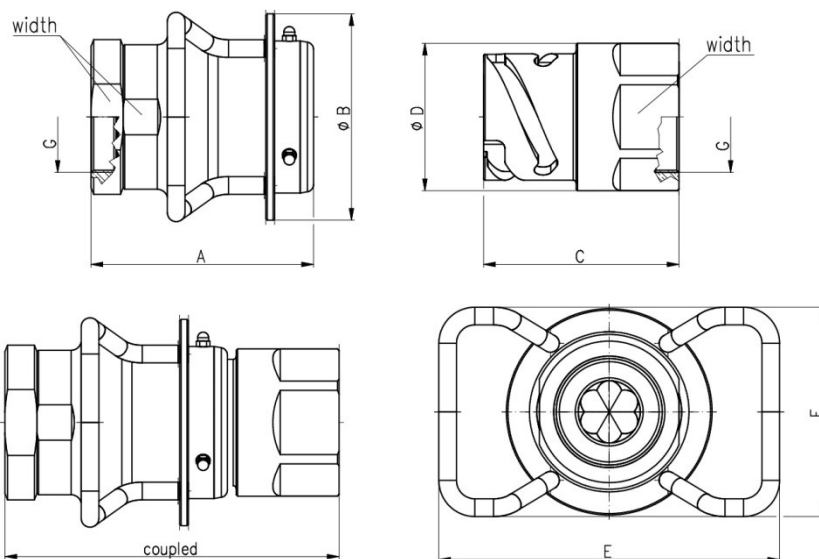
**GATHER**  
INDUSTRIE

*Double shutoff, dry-break and connectable under residual pressure*

### Description

Hose couplings of type DBG-SV are fitted with automatically closing shut-off valves. Upon disconnection no fluid will escape from hose or tank, and when the connection is made neither air nor dirt will enter the line system. These dry-break hose couplings offer a high degree of safety when fueling, filling in or refilling fluid since despite repeated coupling operations damage to the environment or hazard to persons due to spilled fluid is ruled out. The fluid will not come into contact with ambient air. Connecting and disconnecting is a very simple and easy task even when the lines are under residual pressure.

**NEW**



Technical Data Series DBG-SV				
Series	DBG-SV 8	DBG-SV 12	DBG-SV 16	DBG-SV 20
Nominal diameter	DN 25	DN 40	DN 50	DN 65
Admissible operating pressure [bar]*	65	40	25	16
Max. loss through wetting of valves [ml]	0,1	0,3	2,2	3,6
Dimensions				
Female thread G	1	1.1/2	2	2.1/2
A [mm]	107	135	145	152
B [mm]	115	115	119	140
C [mm]	81	103	104	133
D [mm]	56	75	74	100
E [mm]	172	187	197	232
F [mm]	143	143	142	142
coupled [mm]	142	187	195	228
Width across flats 1 / 2	55 & Ø6 / 50	65 / 70	75 / 65	95 / 90

\*statical, coupled at 20°C

# Tube-Hose Quick-Disconnect Coupling DBG-SV Series The Modern Loading and Fueling Coupling

**GATHER**  
INDUSTRIE

*Double shutoff, dry-break and connectable under residual pressure*

## Materials

Stainless steel (1.4404 or 1.4571)

## Seals/Gaskets

FPM, EPDM, FFKM, FVMQ, NBR, CR  
etc. (also FDA compliant)

## Temperature Range

-80 °C to +260 °C (depending on seal type)



## Function

During coupling socket and plug are pushed into each other. The coupling is sealed off towards the outside. By a good one-third turn socket and plug interlock and open the valves so that the fluid passage is cleared. Because of the coupling design without dead spots air cannot ingress when the coupling is connected, neither can spillage occur during separation.

