

Standard – Quick-Disconnect Coupling of Series HKT

DN 32 to DN 50 (G/NPT)

Double shut-off, single shut-off or non shut-off version

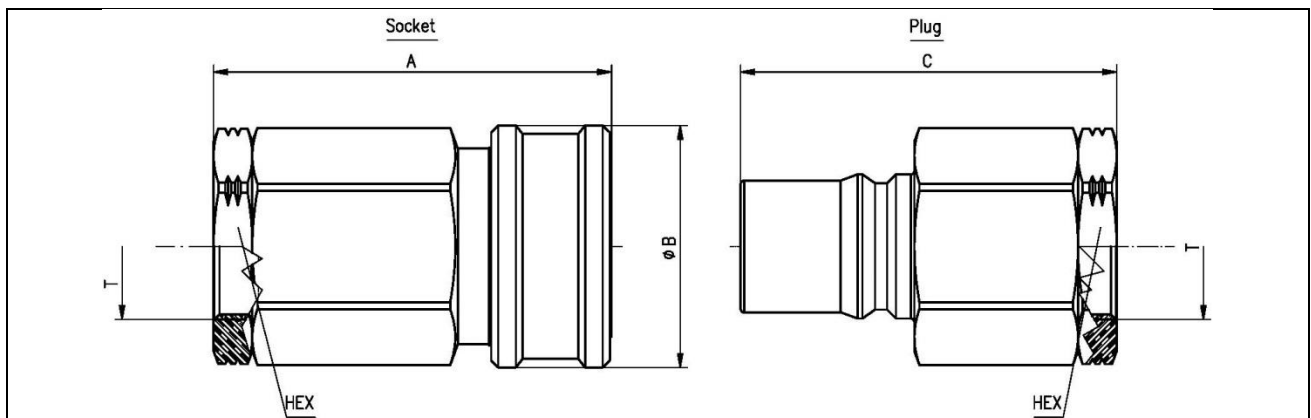
Technical data of Series HKT					
Series	Nominal diameter	Admissible operating pressure [bar]*			Max. liquid loss [ml]
		MS	ST	VA	
HKT10	DN 32	80	115	115	48
HKT12	DN 40	100	150	150	91
HKT20	DN 50	45	100	100	210

MS = brass, ST = steel, VA = stainless steel

*static, coupled at 20°C

Options	
Materials	Seals
<ul style="list-style-type: none"> Stainless steel (1.4305, 1.4401) Steel zinc plated Brass passivated 	<ul style="list-style-type: none"> NBR FPM EPDM CR FVMQ PTFE FFKM etc. (also FDA-compliant)
Temperature range	
-80°C to +325°C (depending on type of seal)	

Quick-disconnect couplings of series HK are of double shut-off, single shut-off or straight-through design. The double shut-off type is recommendable for hazardous media such as acids, solutions, hot water or steam. In single shut-off couplings and depending on the individual application either the socket or the plug accommodates the integrated shut-off valve. When the connection is made the valves will not be caused to open before the coupling has been positively sealed off to the outside. On the other hand, the connection will not be separated before the valves have been closed. This quick-disconnect coupling features non-spill operating characteristics.



Dimensions Series HKT

Series	T Thread*	A [mm]	B [mm]	C [mm]	Width across flats			
					Socket		Plug	
					["]	[mm]	["]	[mm]
HKT10	1 1/4	115	69	108	2 3/8	60,3	2 3/8	60,3
HKT12	1 1/4	122	82	121	2 3/8	60,3	2 3/8	60,3
	1 1/2	122	82	121	2 3/8	60,3	2 3/8	60,3
HKT20	2	141	104	139	3 3/4	95,3	3 3/4	95,3
	2 1/2	156	104	154	3 3/4	95,3	3 3/4	95,3
	3	178	104	176	4	101,6	4	101,6

Subject to technical alterations, errors and misprints excepted

* Chart for G und NPT

