

Standard – Quick-Disconnect Coupling of Series HKT

DN 4 to DN 25 (SAE)

Double shut-off, single shut-off or non shut-off version

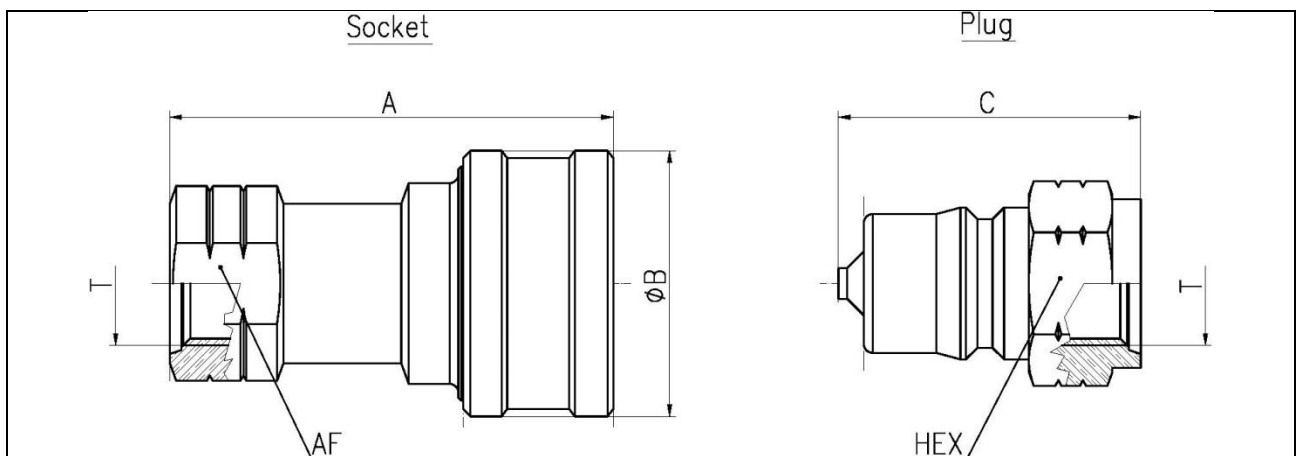
Technical Data of Series HKT					
Series	Nominal diameter	Admissible operating pressure [bar]*			Max. liquid loss [ml]
		MS	ST	VA	
HKT1	DN 4	205	275	340	0,5
HKT2	DN 6	185	345	255	0,9
HKT3	DN 10	150	275	255	2,1
HKT4	DN 12	155	345	290	3,5
HKT6	DN 20	135	275	240	9,4
HKT8	DN 25	100	275	205	17

MS = brass, ST = steel, VA = stainless steel

*static, coupled at 20°C

Options	
Materials	Seals
· Stainless steel (1.4305, 1.4401)	· NBR
· Steel zinc plated	· FPM
· Brass passivated	· EPDM
	· CR
	· FVMQ
	· PTFE
	· FFKM
	· etc. (also FDA-compliant)
Temperature range	
-80°C to +325°C (depending on type of seal)	

Quick-disconnect couplings of series HK are of double shut-off, single shut-off or straight-through design. The double shut-off type is recommendable for hazardous media such as acids, solutions, hot water or steam. In single shut-off couplings and depending on the individual application either the socket or the plug accommodates the integrated shut-off valve. When the connection is made the valves will not be caused to open before the coupling has been positively sealed off to the outside. On the other hand, the connection will not be separated before the valves have been closed. This quick-disconnect coupling features non-spill operating characteristics.



Dimensions Series HKT								
Series	T Thread*	A [mm]	B [mm]	C [mm]	Width across flats			
					Socket		Plug	
					[°]	[mm]	[°]	[mm]
HKT1	7/16 - 20 UNF	52	25	36	11/16	17,5	11/16	17,5
HKT2	9/16 - 18 UNF	61	29	42	7/8	22,2	7/8	22,2
HKT3	3/4 - 16 UNF	70	36	49	1	25,4	1	25,4
HKT4	7/8 - 14 UNF	78	47	54	1 1/4	31,8	1 3/16	30,2
HKT6	1 1/16 - 12 UN	93	57	65	1 3/8	34,9	1 3/8	34,9
HKT8	1 5/16 - 12 UN	105	66	72	1 7/8	47,6	1 7/8	47,6

Subject to technical alterations, errors and misprints excepted

* Chart for SAE

